

Crossed Roller Stages ▶ X-Axis and XY-Axis ▶ Aluminum Alloy

Crossed Roller Stages | 50*50

MX50-AC



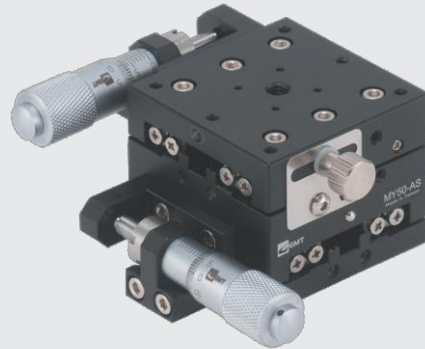
MX50-AS



MY50-AC



MY50-AS



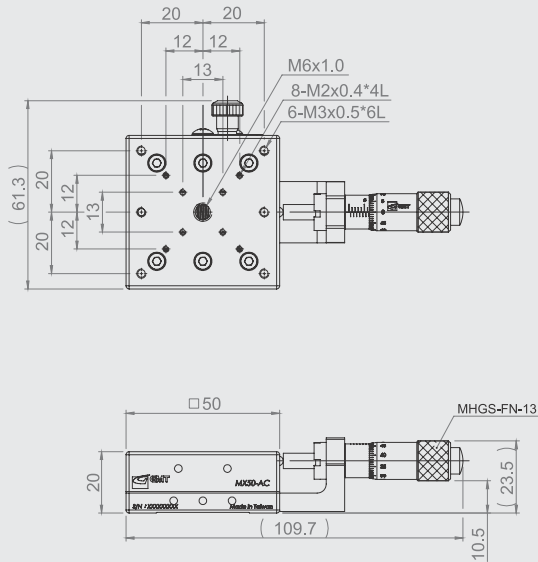
Unit : mm

Model No.	Table Size	Axis	Feed Position	Travel Stroke	Micrometer Minimum Reading (μm)	Straightness Accuracy (μm)	Allowable Loading (kgf)	Weight (kg)	Material	Surface Finish
MX50-AC	50*50	X-axis	Central	±6.5	10	3	4	0.22	Aluminum alloy	Black anodized
MX50-AS			Side							
MY50-AC		XY-axis	Central					0.44		
MY50-AS			Side							

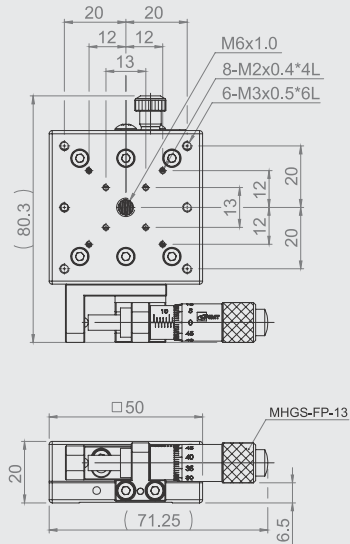
Crossed Roller Stages ▶ X-Axis and XY-Axis ▶ Aluminum Alloy

Crossed Roller Stages | 50*50

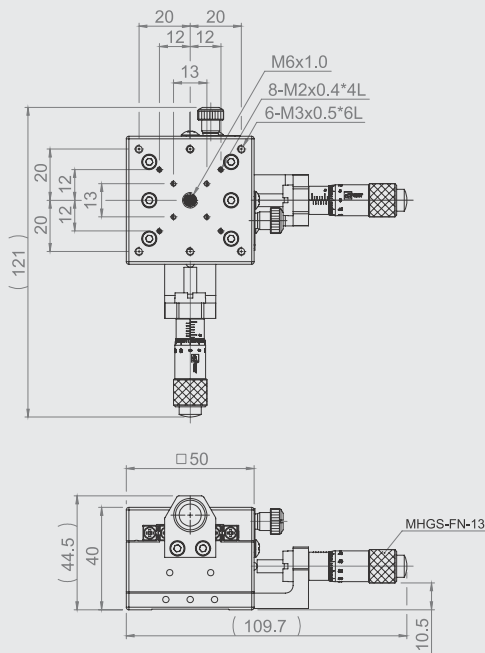
MX50-AC



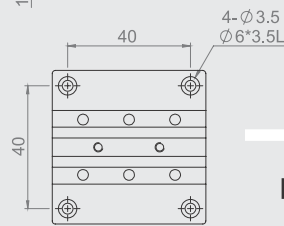
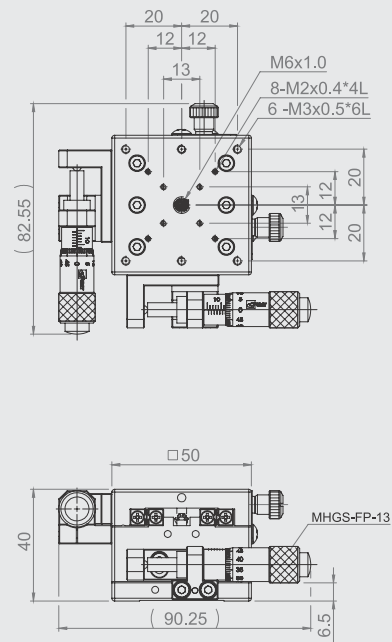
MX50-AS



MY50-AC



MY50-AS



MX(Y)50-A
Mounting
Dimensions